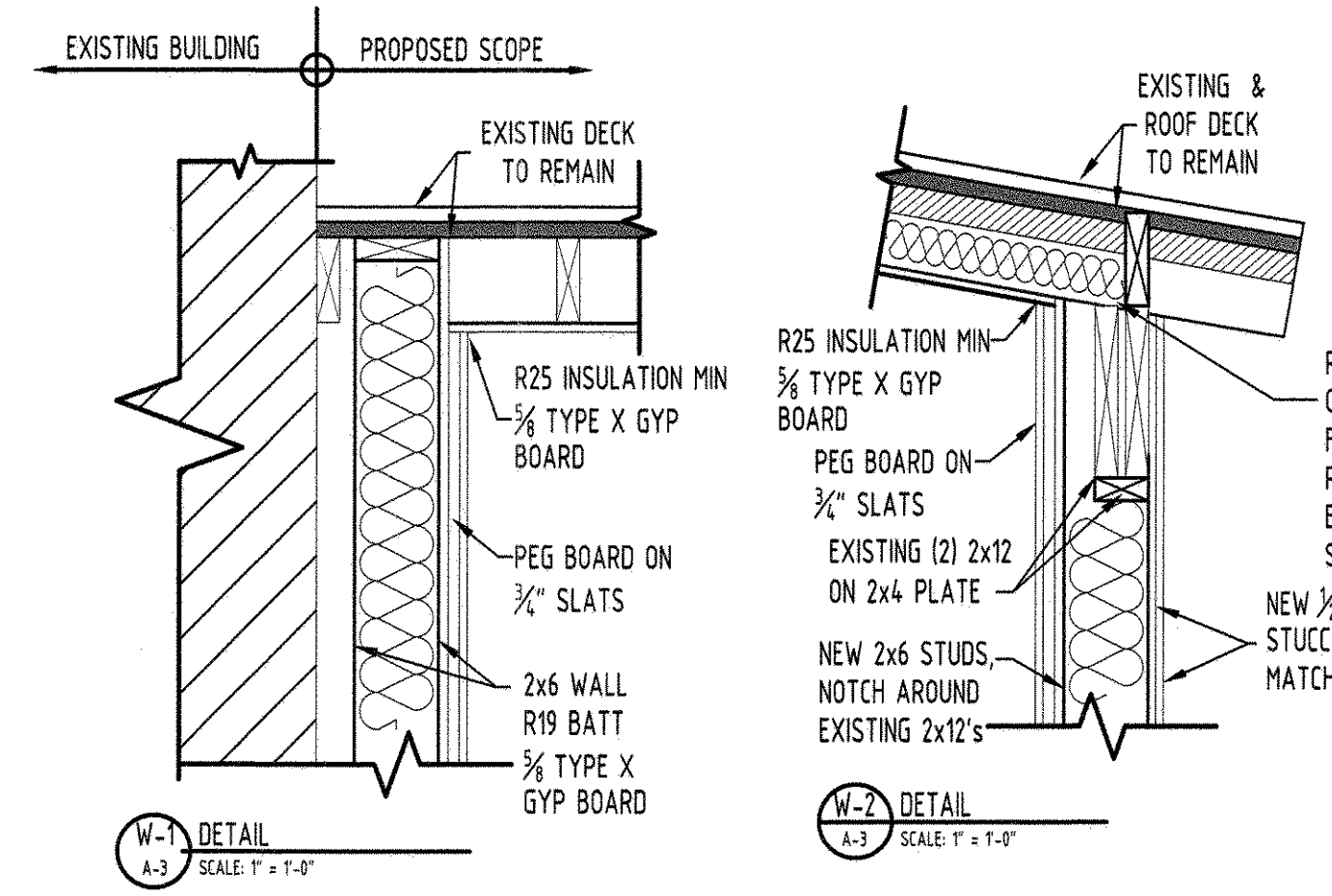


ROOM FINISH SCHEDULE

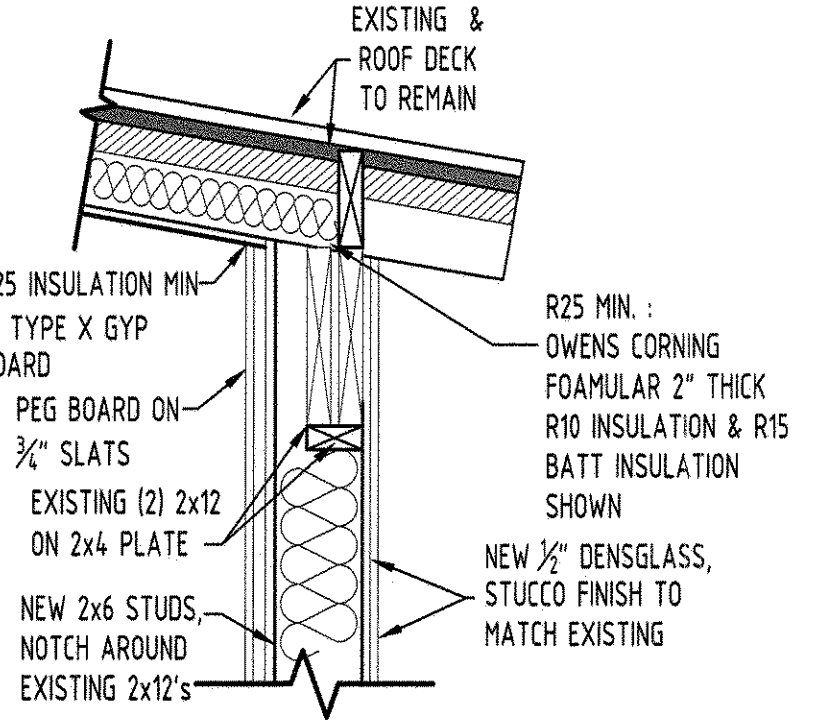
ROOM No.	FLOOR	CEILING	WALLS	BASE
MAIN ROOM	12x12 V.C.T.	GYPSUM BOARD	GYPSUM BOARD/WYL. BASE	WYL. BASE
	STYLE T.B.D.	PAINTED	PAINTED	STYLE T.B.D.

DOOR SCHEDULE

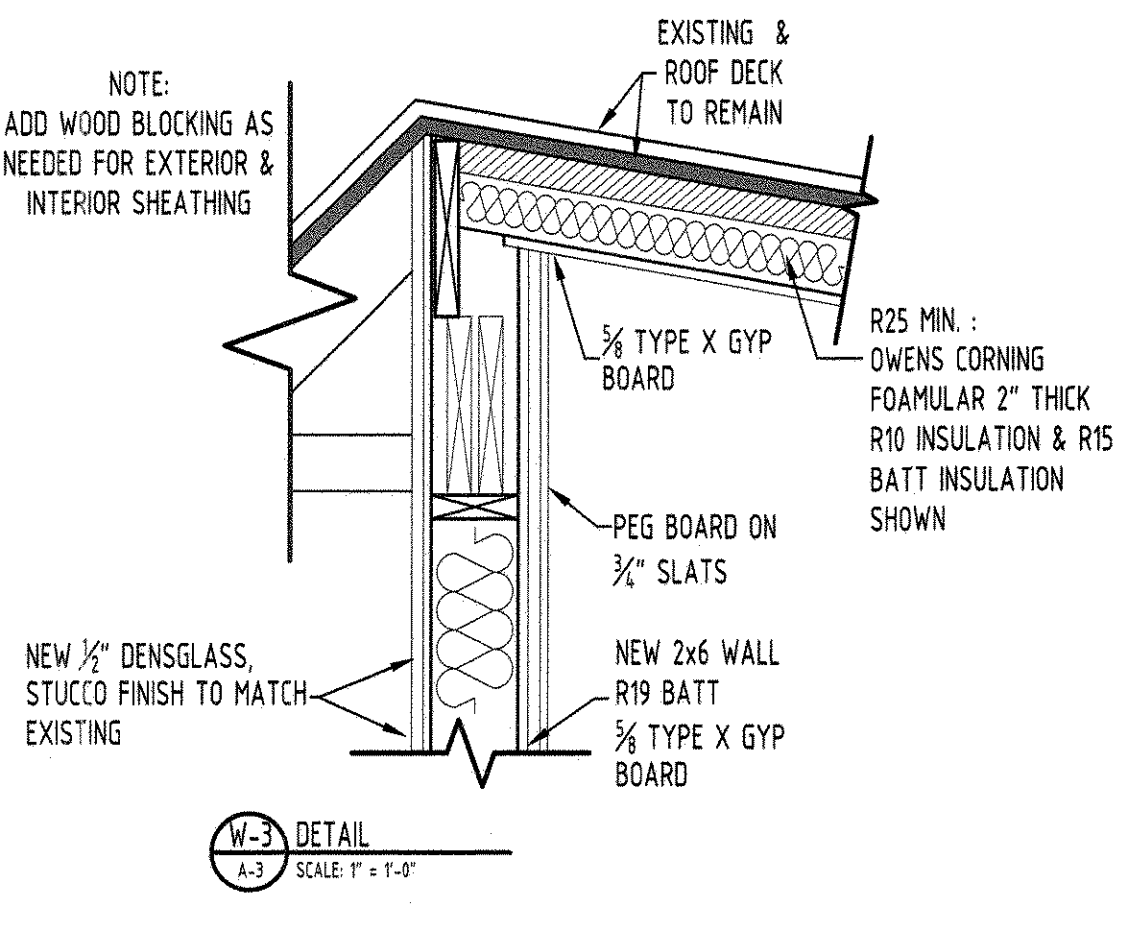
DOOR No. 100
 PAIR OF 2-8x6-8 H.M. W/ INSULATION
 FLUSH BOLTS
 THRESHOLD
 OBL. CYLINDER DEAD BOLT
 ENTRY LOCK
 CLOSER
 T-ASTRICAL
 T-ASTRICAL 4 1/2" PAIR 4" HANGERS
 PANIC BAR



W-1 DETAIL
SCALE: 1" = 1'-0"

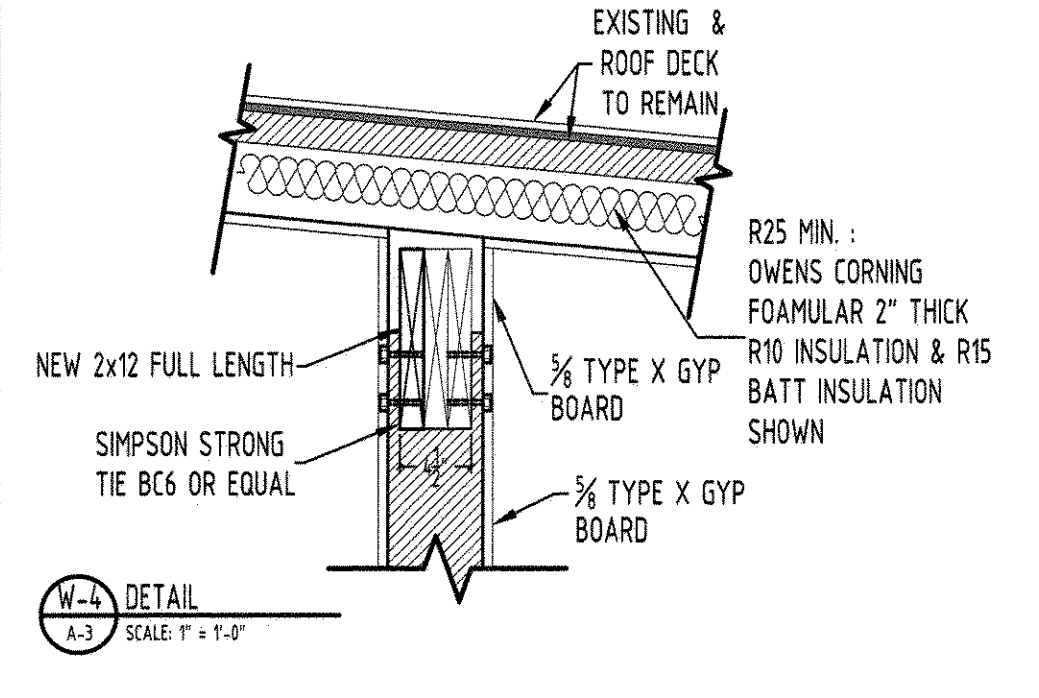


W-2 DETAIL
SCALE: 1" = 1'-0"

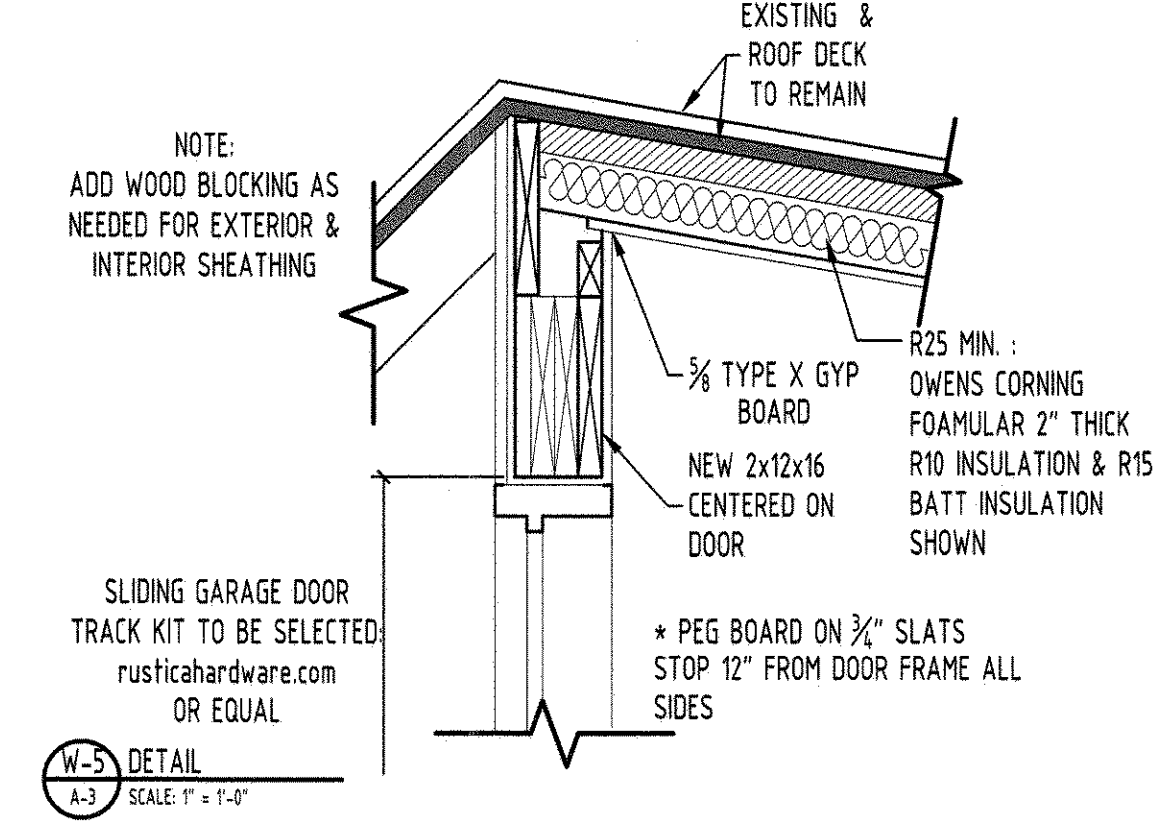


W-3 DETAIL
SCALE: 1" = 1'-0"

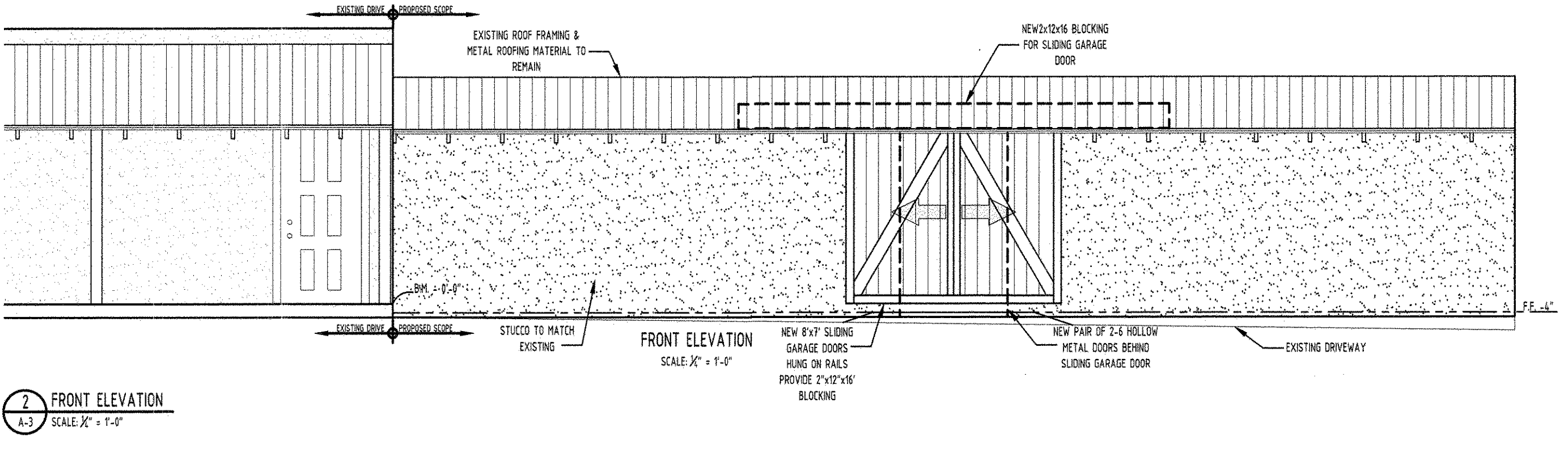
NOTE:
 ADD DEADWOOD AS NEEDED FOR DRYWALL FASTENING.
 NEW EXTERIOR FINISHES TO MATCH EXISTING FINISHES.
 NEW PLYWOOD SHEATHING TO BE HELD 2" BACK FROM EXISTING STUCCO, NEW STUCCO TO BE FLUSH WITH EXISTING.



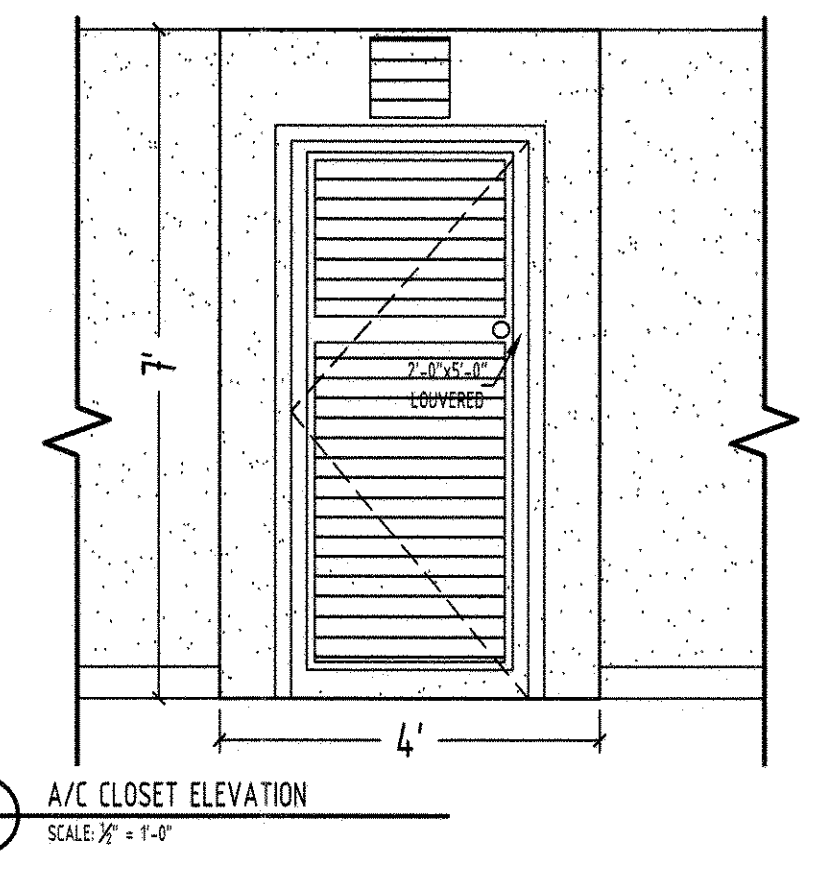
W-4 DETAIL
SCALE: 1" = 1'-0"



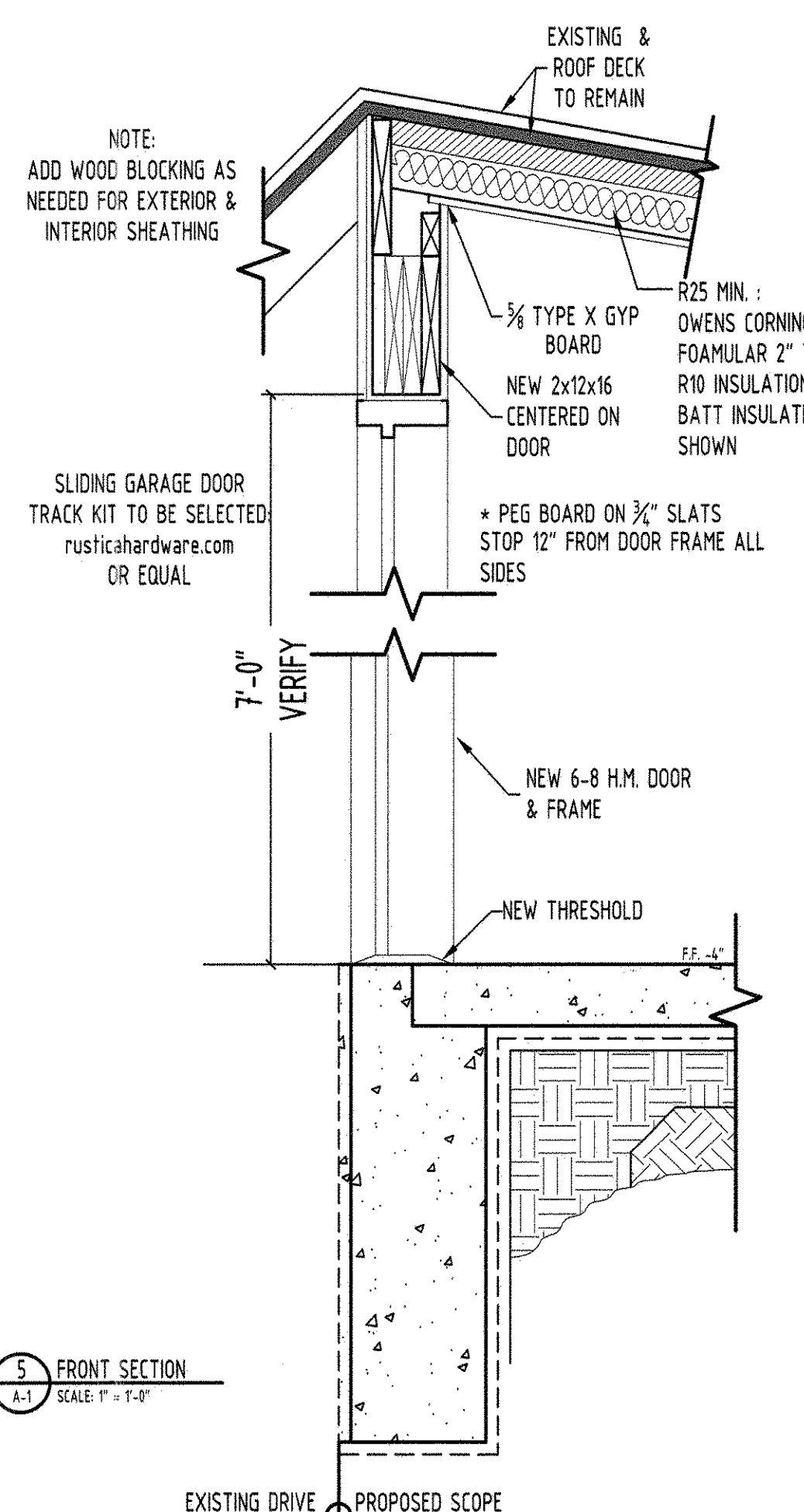
W-5 DETAIL
SCALE: 1" = 1'-0"



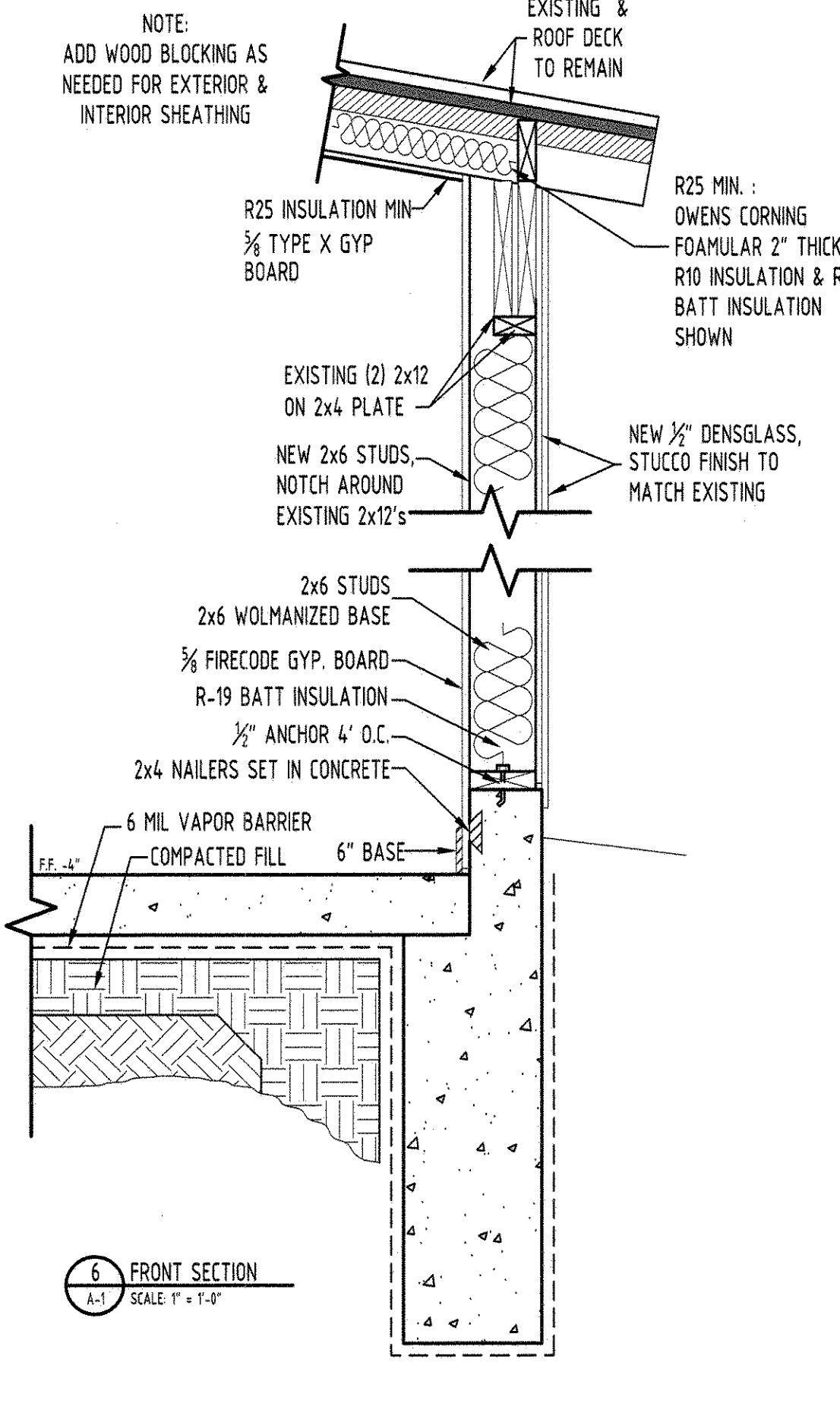
2 FRONT ELEVATION
SCALE: 1/2" = 1'-0"



4 A/C CLOSET ELEVATION
SCALE: 1/2" = 1'-0"



5 FRONT SECTION
SCALE: 1" = 1'-0"



6 FRONT SECTION
SCALE: 1" = 1'-0"



SAN ANTONIO ART LEAGUE
 CARPORT ENCLOSURE
 130 KING WILLIAM ST.
 SAN ANTONIO TEXAS
 © HARRY JEWETT ASSOCIATES 2015

HARRY JEWETT ASSOCIATES
 Engineers • Architects • Planners

TEXAS REGISTERED ENGINEERING FIRM F-1225
 TEXAS LICENSED SURVEYING FIRM 10000-00
 Job No.: 19003
 Date: 3/19/2019
 Drawn by: LAG/CNL
 Sheet:

A-3

Of 3

2/2/2019 10:02:43 AM ART LEAGUE 130 KING WILLIAM ST. SAN ANTONIO, TEXAS 78216 DWG: 19-003-03